



UNIVERSAL CLIP

HYBRID

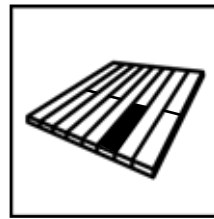
7-22



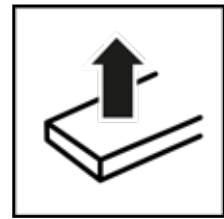


CLIP HYBRID 7-22

The benefits



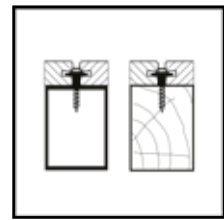
Can be dismantled locally



High tensile strength



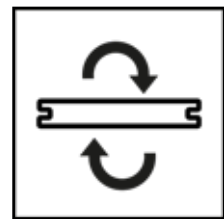
Absorbs decking movements



Fixing on wood and ALUMINIUM joists



Quick and easy to fit



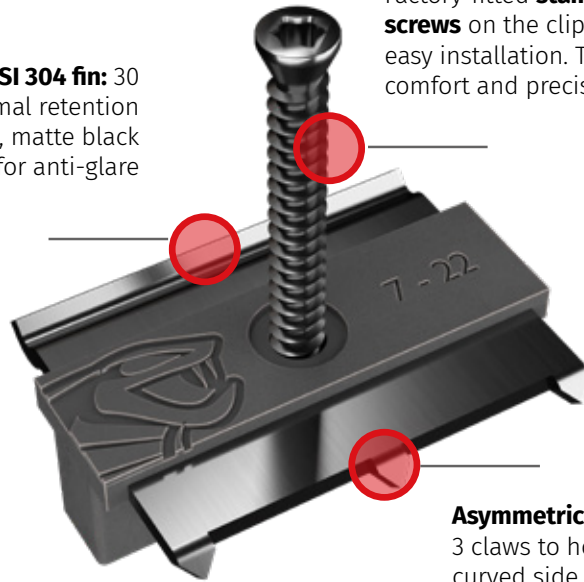
Compatible with reversible blades

HYBRID 7-22, A BI-MATERIAL CLIP

Exclusive & Innovative

Stainless steel AISI 304 fin: 30 mm wide for optimal retention and 1.2 mm thick, matte black lacquered for anti-glare

Factory-fitted **stainless steel screws** on the clip for quick and easy installation. Torx grip for comfort and precision



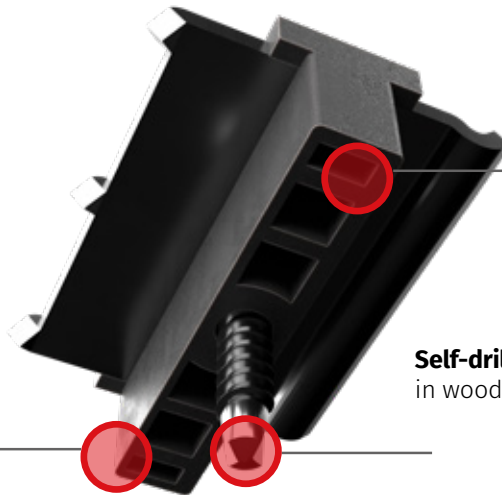

CERTIFIED
22 160 820.1



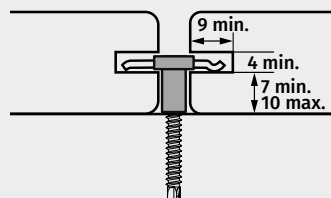
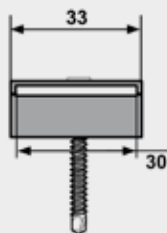
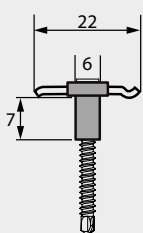
Asymmetrical clip: one side with 3 claws to hold the blade firmly, a curved side for easy positioning of the next board and allows the wood to expand

Black UV-resistant **polypropylene body**, 6mm wide, ensuring an appropriate and consistent spacing between the boards

Honeycomb structure absorbs deck movements



Self-drilling point for fixing in wood or ALUMINIUM

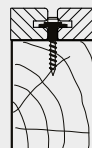


ALUMINIUM



Min thickness 2mm

WOOD



Max density:
800 kg/m³

COBRA® HYBRID 7-22

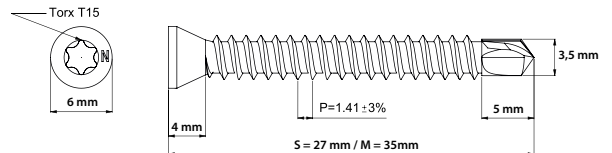
Ideal for installation
bamboo decking



HYBRID 7-22 S AND M CLIP SCREWS

Screw characteristics

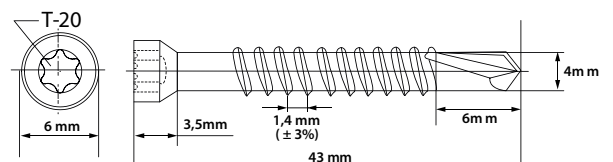
- AISI410 stainless steel screws 4.2 x 27 mm size S and 35 mm size M
- Borrow Torx TX15
- Self-drilling tip
- Drilling capacity in aluminium: 3 mm
- Drilling in hardwood with a density of up to 800 kg/m³
- Reduced 6 mm diameter head
- Black lacquer



HYBRID CLIP SCREWS 7-22 L

Screw characteristics

- 4.8 x 43 mm AISI410 stainless steel screws
- Borrow Torx TX20
- Self-drilling tip
- Drilling capacity in aluminium: 4 mm
- Drilling in hardwood with a density of up to 900 kg/m³
- Reduced 6 mm diameter head
- Black lacquer





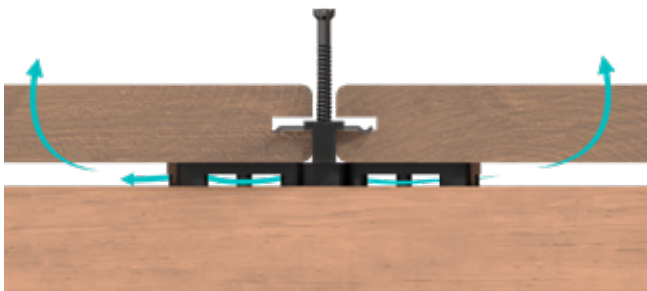
AIRSPACER

Installation & benefits

Cobra Airspacer **promotes ventilation** between the board and the joist without affecting the action of the fixing clip or the movement of the wood.

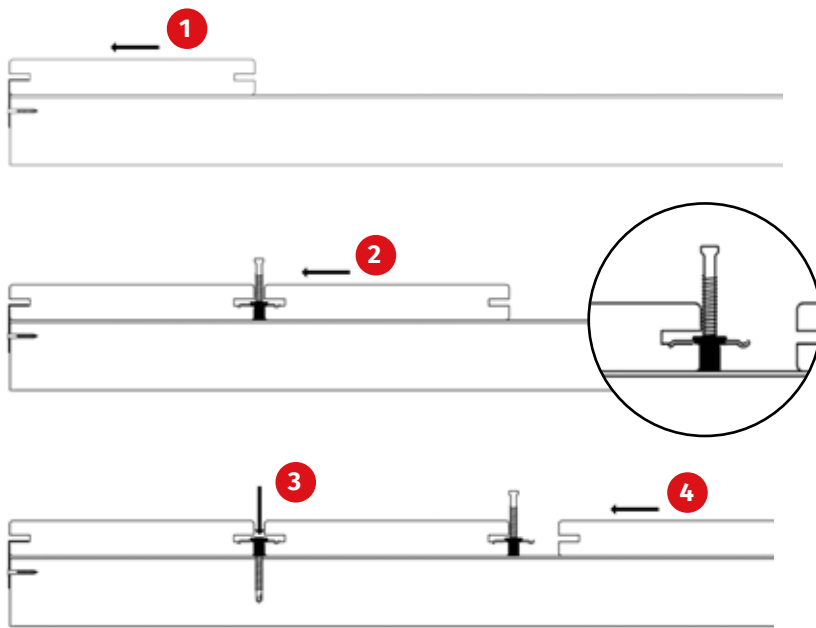
Its customised design fits perfectly under the honeycomb base of the Cobra Hybrid clips for **quick and easy installation**.

The Airspacer shim helps to limit the shearing effect on the fixing screw.



Code FR	Code NL	EAN code	Qty/package	Weight (kg)
1040	2619	3700421810406	8	0,75

Installation

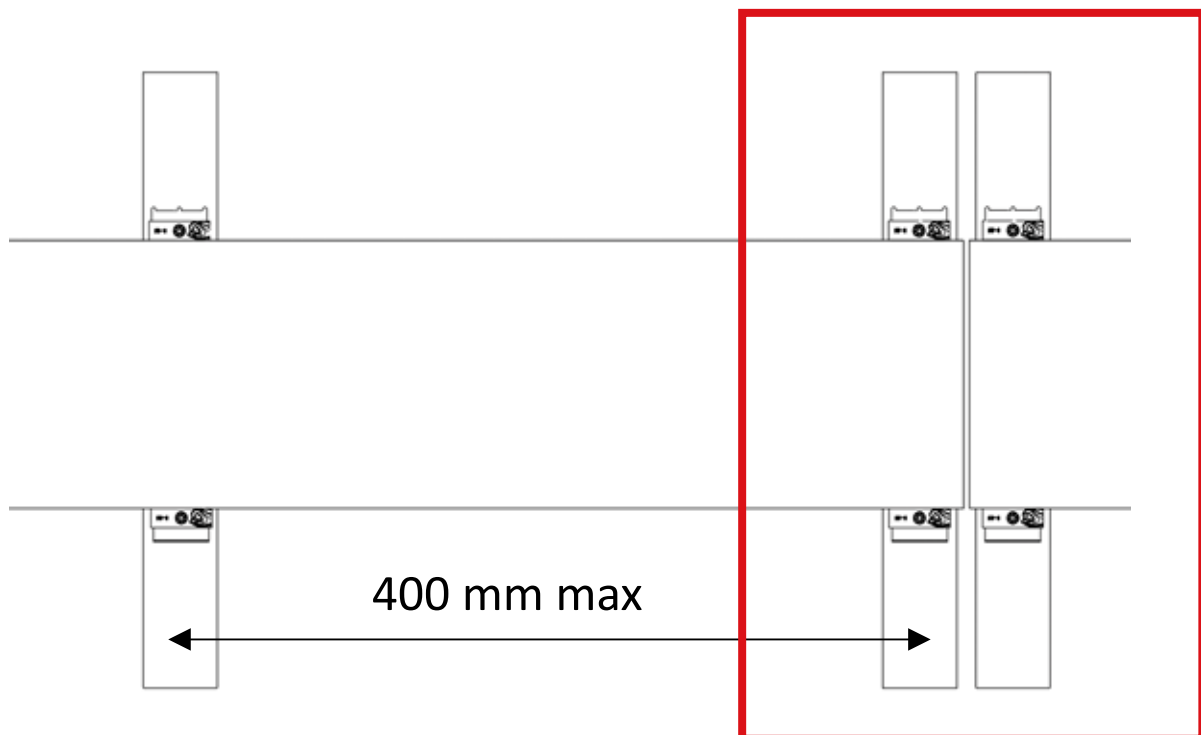


- 1.** Fitting the Start/End clip, then laying the first board
- 2.** Fit the Hybrid clip, claw side down, into the groove, then fit the next board, curved side down, up to the clip wedge.
- 3.** Screw on the clip, holding the blade in place. Tap the blade with a mallet to ensure it is correctly inserted.
- 4.** Repeat the operation until you reach the last blade and finish with the final start/end clip.



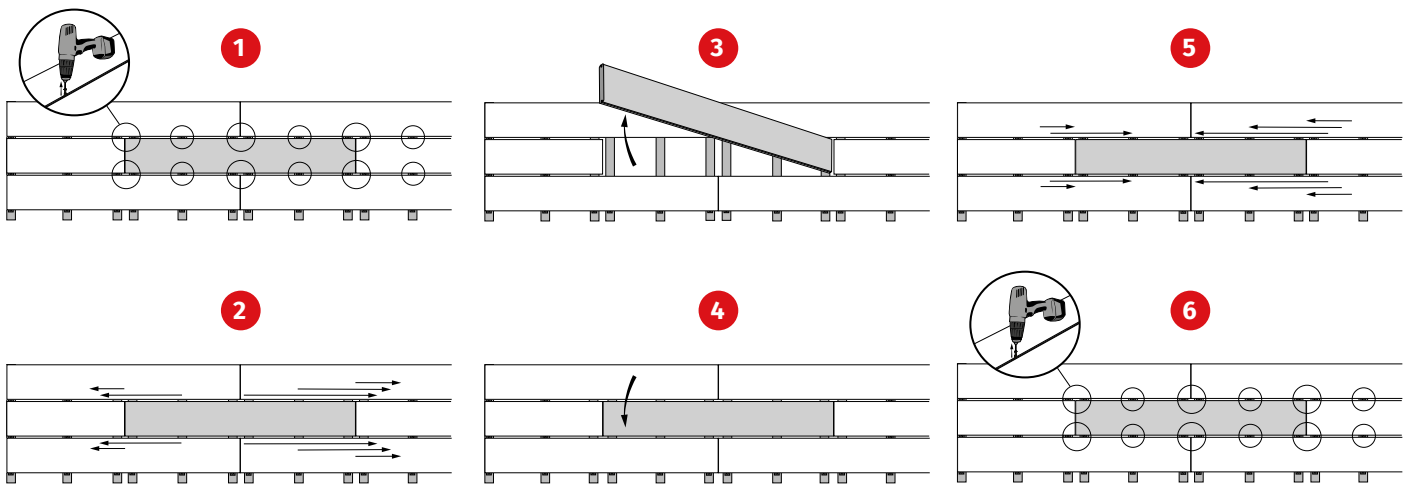
The use of clamps is recommended for optimal and rapid screwing of Hybrid clips.

Installation rules



Double joisting at the ends of the boards

Replacing a blade



1. Unscrew the clips

2. Spread the clips at the ends

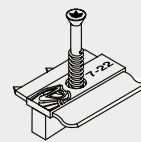
3. Remove the old blade

4. Position the new blade

5. Replace the clips

6. Screw on the new blade

Packaging



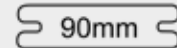
90 pcs

T 15

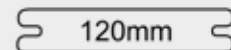


1 pc

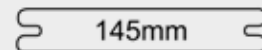
± 3,2 m^{2*}



± 4,5 m^{2*}



± 5 m^{2*}



*Assessment with a joist spacing of 40mm.

Sizes	Code FR	Code NL	EAN code	Qty/ package	Qty/pallet	Weight (kg)
7-22 S	FR2016	NL2920	3700421820160	8	640	0,88
7-22 M	FR1334	NL2661	3700421813346	8	640	0,88
7-22 L	FR1988	NL 2921	3700421819881	8	640	0,88