



UNIVERSAL CLIP

HYBRID

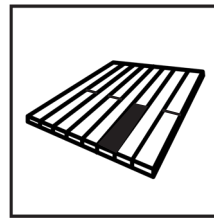
8-18



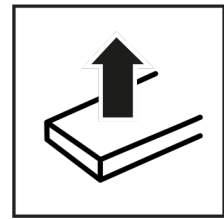


CLIP HYBRID 8-18

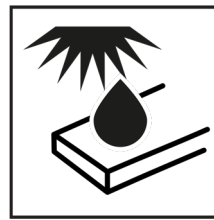
The benefits



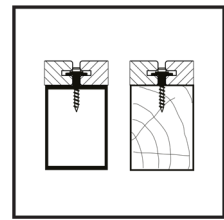
Can be dismantled locally



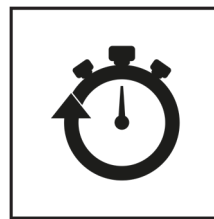
High tensile strength



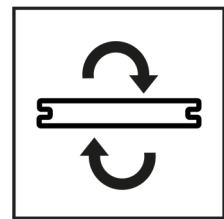
Absorbs wood composite movement



Fixing on wood and aluminium joists



Quick and easy to fit



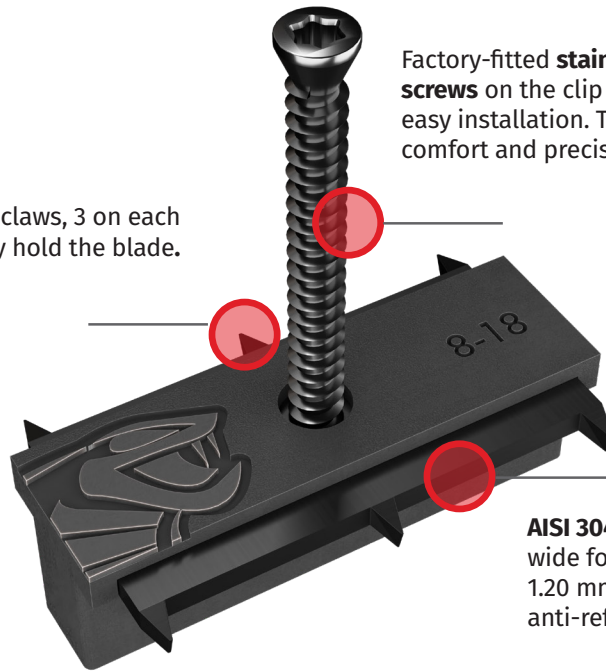
Compatible with reversible blades (from 20 to 26 mm x 150 mm max.)

HYBRID 8-18, A BI-MATERIAL CLIP

Exclusive & Innovative

Claw clip: 6 claws, 3 on each side to firmly hold the blade.

Factory-fitted **stainless steel screws** on the clip for quick and easy installation. Torx grip for comfort and precision



AISI 304 stainless steel fin, 30 mm wide for optimum support and 1.20 mm thick, with matt black anti-reflective lacquer finish



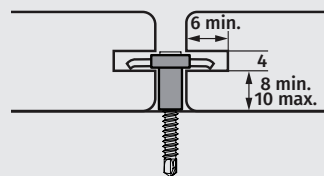
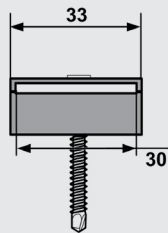
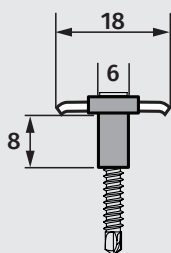
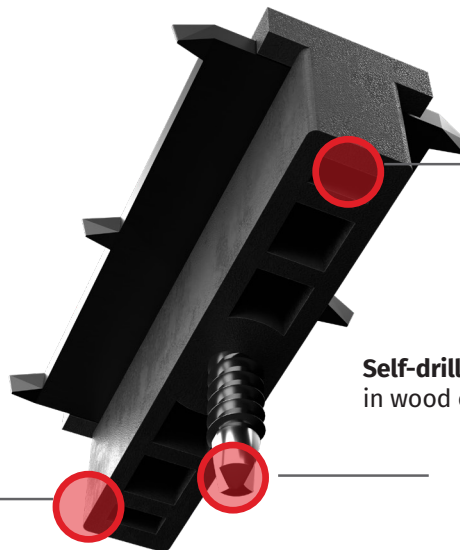
CERTIFIED
22 160 820.1



Honeycomb structure absorbs the movements of the wood composite

Black UV-resistant **polypropylene body**, 6mm wide, ensuring an appropriate and consistent spacing between the blades

Self-drilling point for fixing in wood or aluminium

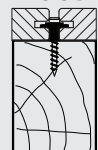


ALUMINIUM



Min thickness
2mm

WOOD



Density max
800 kg/m³

COBRA® HYBRID 8-18

Ideal for installation
composite decking

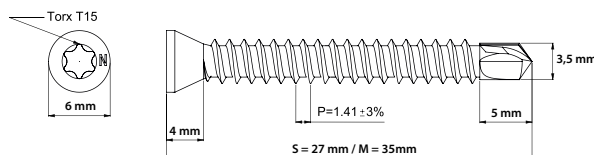


Inox AISI410

HYBRID 8-18 S AND M CLIP SCREWS

Screw characteristics

- AISI410 stainless steel screws 4.2 x 27 mm size S and 35 mm size M
- Borrow Torx TX15
- Self-drilling tip
- Drilling capacity in aluminium: 3 mm
- Drilling in hardwood with a density of up to 800 kg/m³
- Reduced 6 mm diameter head
- Black lacquer

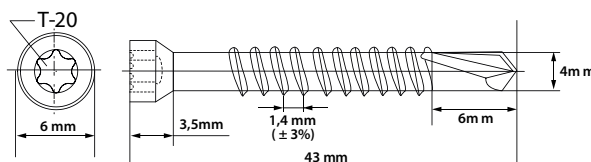


Inox AISI410

HYBRID CLIP SCREWS 8-18 L

Screw characteristics

- 4.8 x 43 mm AISI410 stainless steel screws
- Borrow Torx TX20
- Self-drilling tip
- Drilling capacity in aluminium: 4 mm
- Drilling in hardwood with a density of up to 900 kg/m³
- Reduced 6 mm diameter head
- Black lacquer





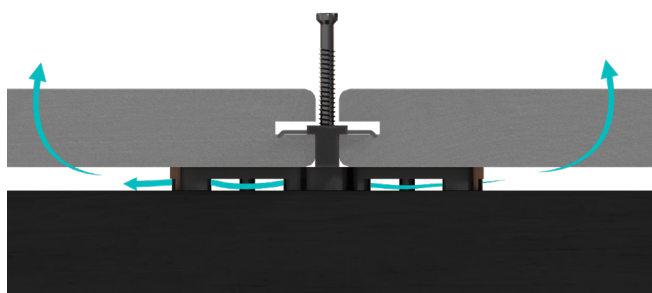
AIRSPACER

Installation & benefits

Cobra Airspacer **promotes ventilation** between the board and the joist without affecting the action of the fixing clip or the movement of the wood.

Its customised design fits perfectly under the honeycomb base of the Cobra Hybrid clips for quick and easy installation.

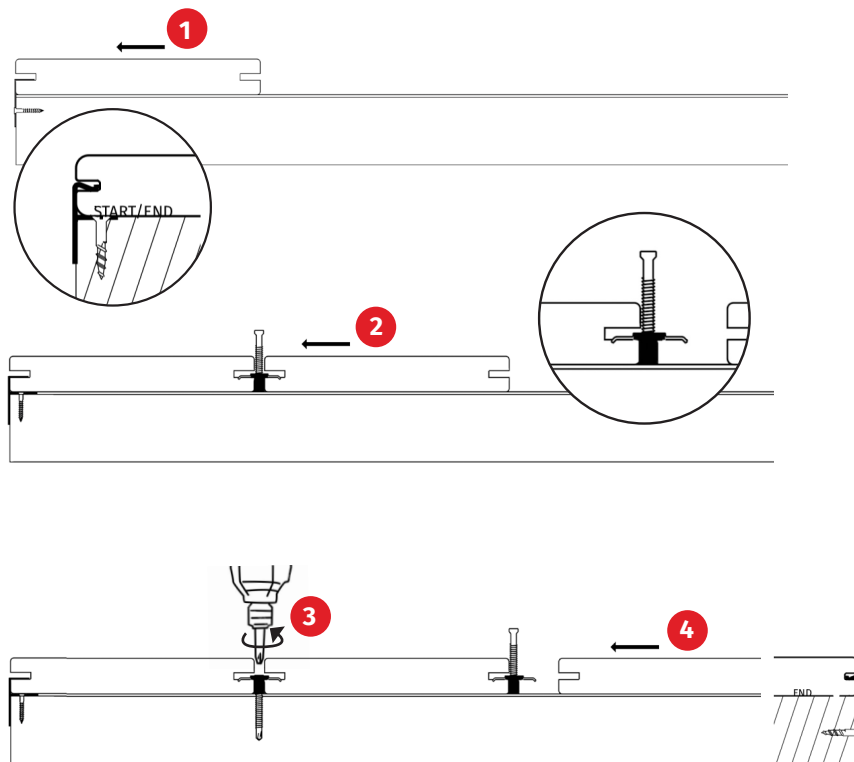
The Airspacer shim helps to limit the shearing effect on the fixing screw.



Code FR	Code NL	Code EAN	Qty/package	Weight (kg)
1040	2619	3700421810406	8	0,75

CLIP HYBRID 8-18

Installation

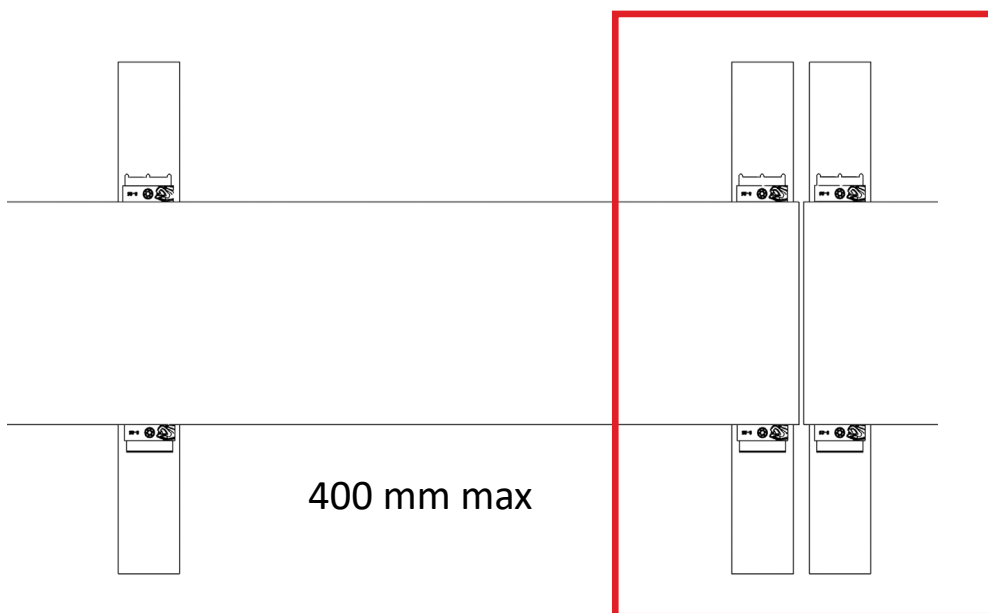


1. Fix the Start/End clips to the end of the joists, then insert the first board.
2. Insert the Hybrid clips in the board's groove without screwing them down, then place the next board in touch with the clip's base.
3. Screw on the Hybrid clips, while holding the boards on either side to ensure a perfect perpendicular fixing.
4. Repeat the operation and finish with the Start/End clip to fix the last board.



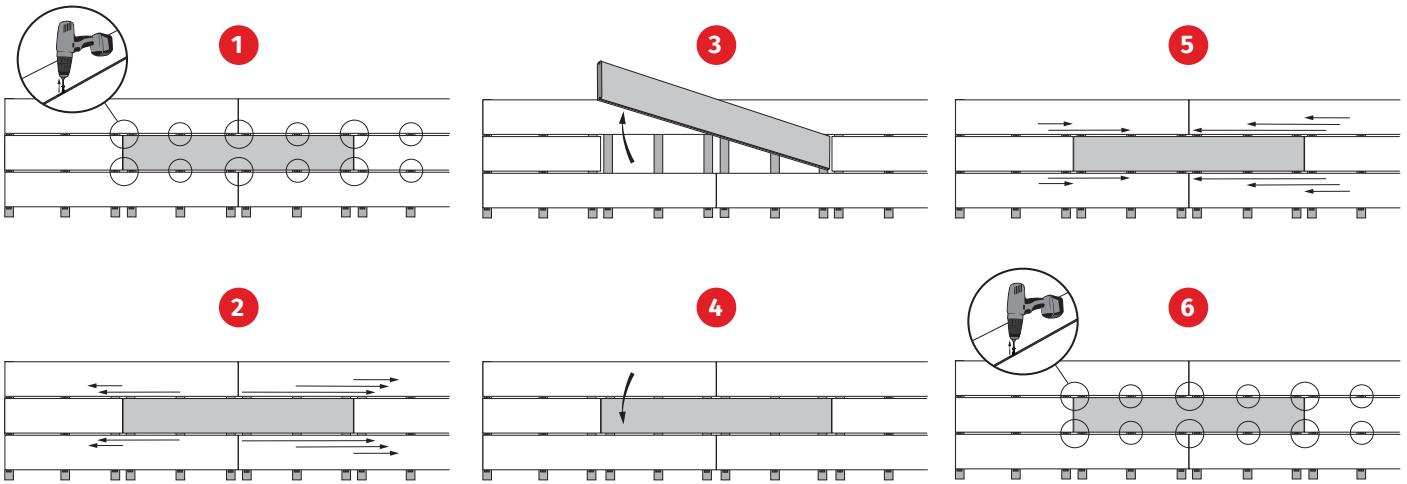
The use of clamps is highly recommended. It facilitates and optimizes the clips installation, enabling fast and precise screwing of several boards in a row.

Installation rules



Double joisting at the ends of the boards

Replacing a blade



1. Unscrew the clips

2. SPREAD THE CLIPS AT THE ENDS

3. Remove the old blade

4. Place the new blade

5. Replace the clips

6. Screw on the new blade

Packaging

± 3,2 m^{2*}

90mm

± 4,5 m^{2*}

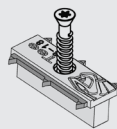
120mm

± 5 m^{2*}

145mm

± 8,5 m^{2*}

210mm



90 pcs

T 15



1 pc

*Rating with a 40mm centre to centre joists distance

Sizes	Code FR	Code NL	Code EAN	Qty/ package	Qty/pallet	Weight (kg)
8-18 S	FR1989	NL2918	3700421819898	8	640	0,88
8-18 M	FR0993	NL2174	3700421809936	8	640	0,88
8-18 L	FR1987	NL 2919	3700421819874	8	640	0,88